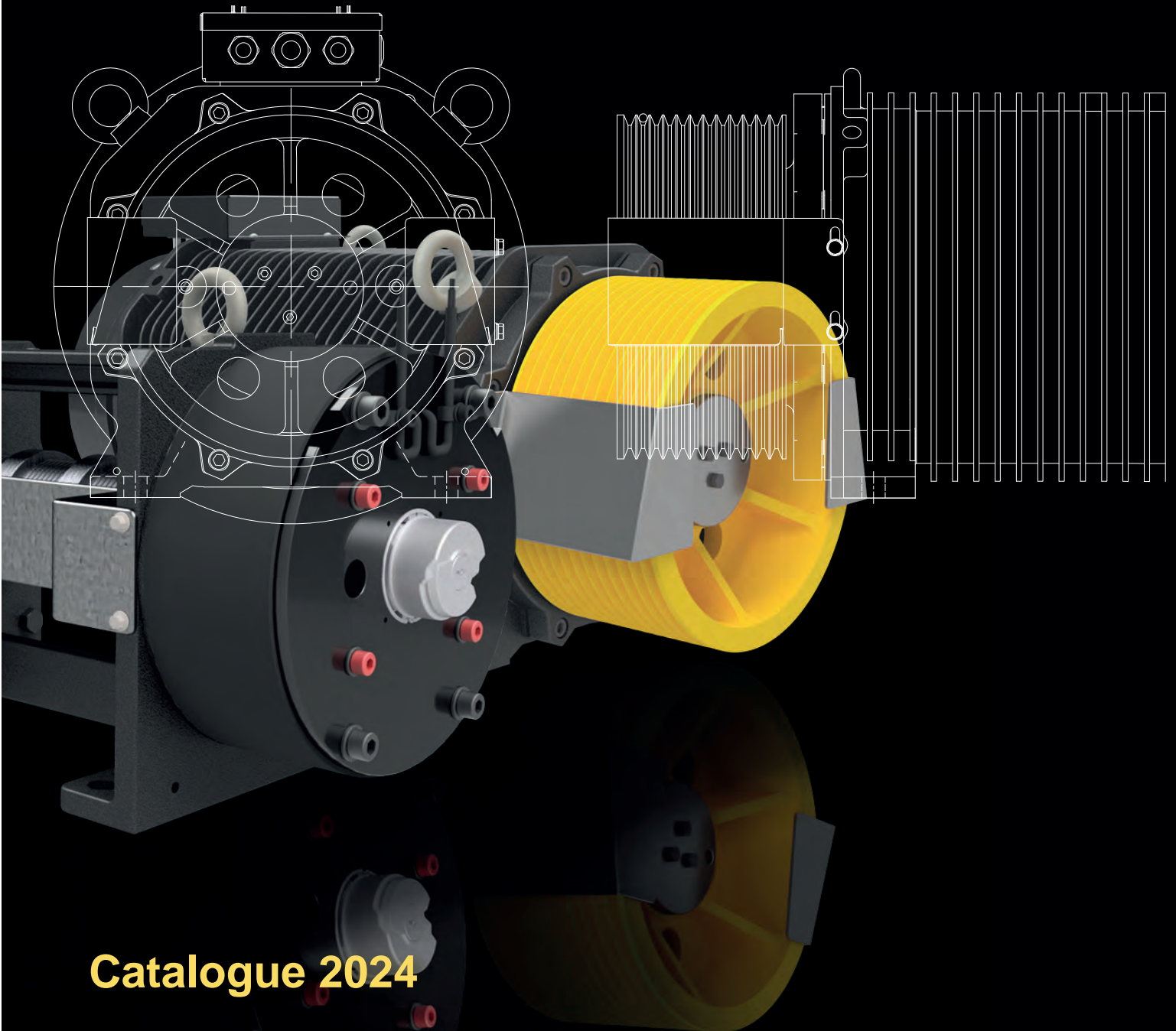
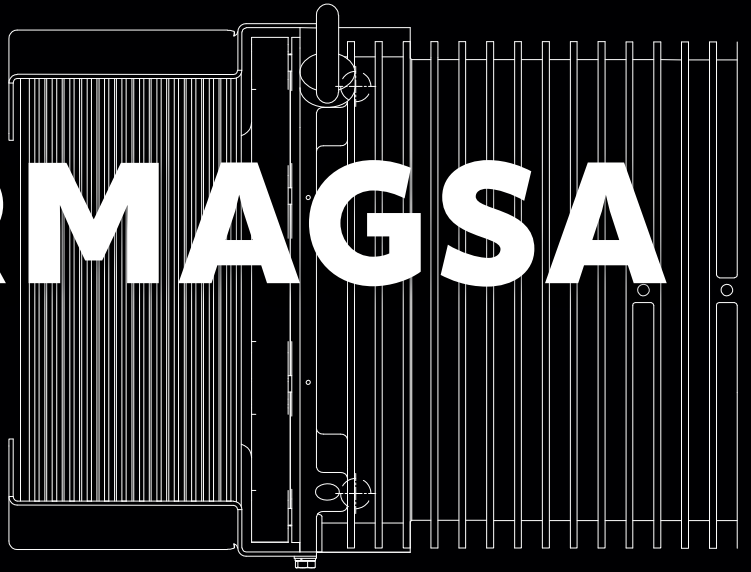




PERMAGSA



Catalogue 2024

PERMAGSA

YOUR TRACTION LIFT SOLUTIONS

The company was founded in **1965**, we have more than 50 years experience in the development of permanent magnet synchronous motors for the industry, such as power plants, servo motors, cranes, etc.

Due to the serious work and high quality, the company has had steady growth of **20%** annually.

Nowadays, **PERMAGSA** is one of the biggest motor manufacturers of Europe, developing synchronous PM motors as motors for the lift industry, servo motors, electric vehicle motors or tailor made motors. We count among our customers the largest elevator installers in Germany.

OUR BUSINESS TODAY

Elevator motors
Industrial applications
Electric vehicle
Custom design

200.000 **GEARLESS**
installed all over the World



Production and Development

We have a professional team in constant training and evolution working with the most advanced technical equipment for the development of the latest technology, it make us capable of developing customized tailor made solutions.

30.000m²

1.200 Employees

80% Graduated in higher grades

60% Engineers of various branches such as electricity, electronics, mechanics, telecommunications...

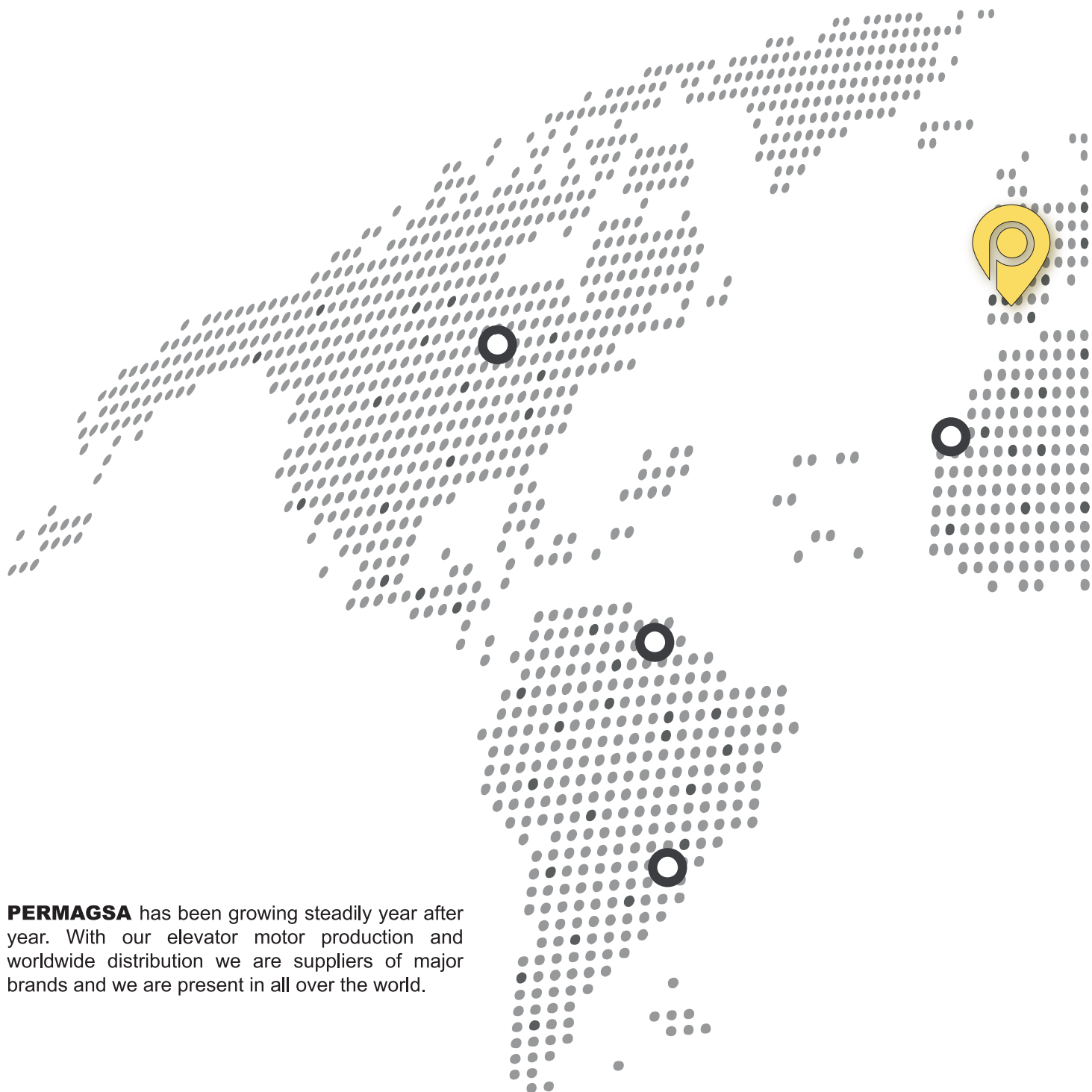
2 Test Towers

1 Real Lift for test and developing

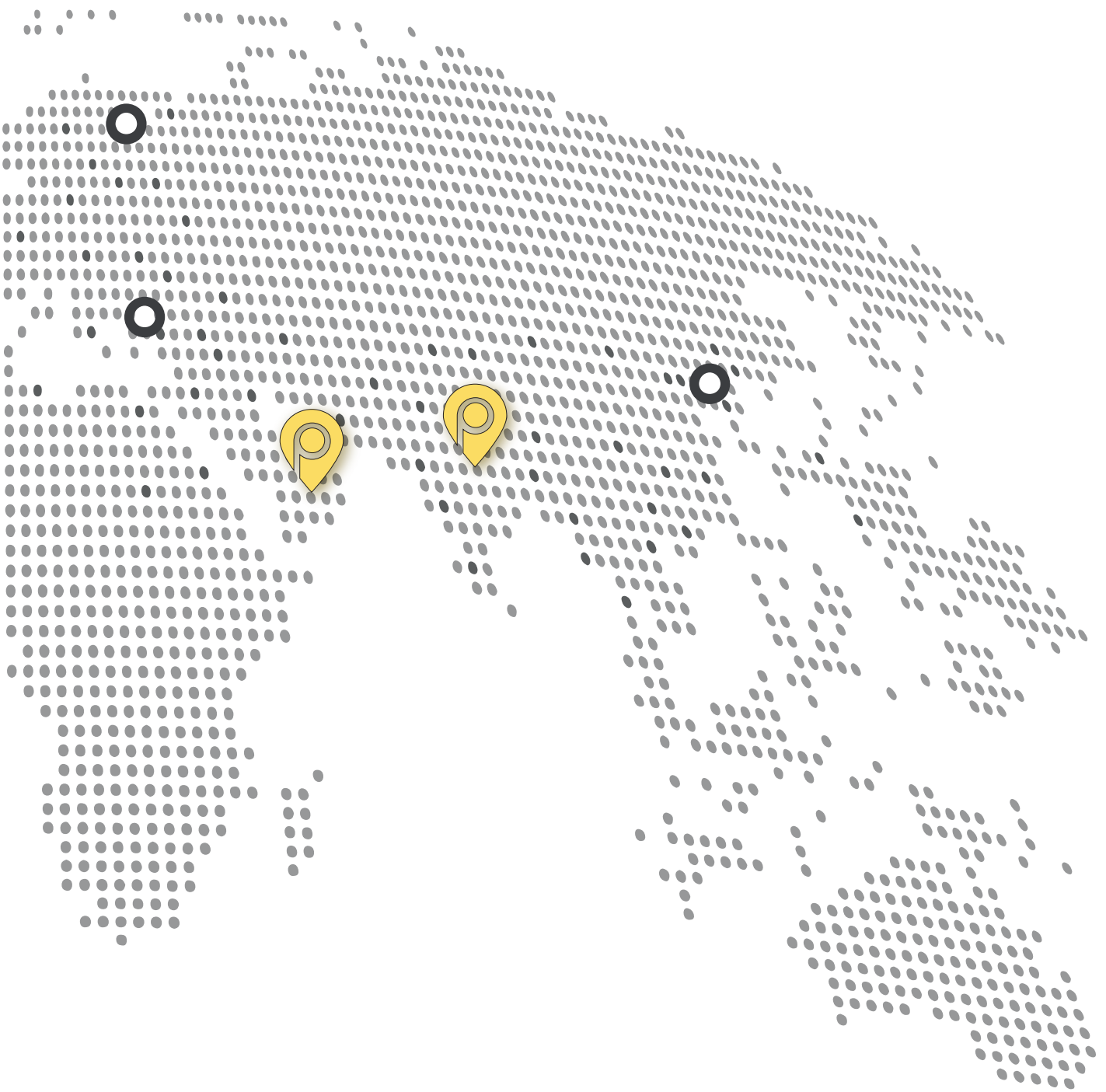
3 Test Benches



WORLD WIDE NET



PERMAGSA has been growing steadily year after year. With our elevator motor production and worldwide distribution we are suppliers of major brands and we are present in all over the world.



MODERNIZATION



For greater efficiency in your facilities, we respond specifically to your needs and renew your system with last generation technology. With **Modernizations** we contribute to preserving the environment and allow cost savings for the user.

GREATER SECURITY
HIGHER PERFORMANCE
HIGHER RELIABILITY
SUSTAINABILITY

MODEL**GsH75****GsH150****GsH225****INSTALLATION DATA**

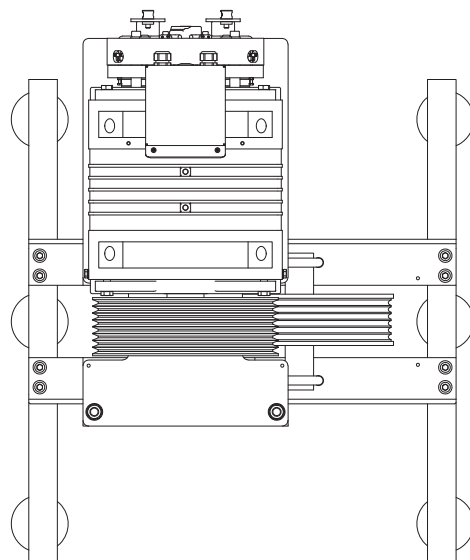
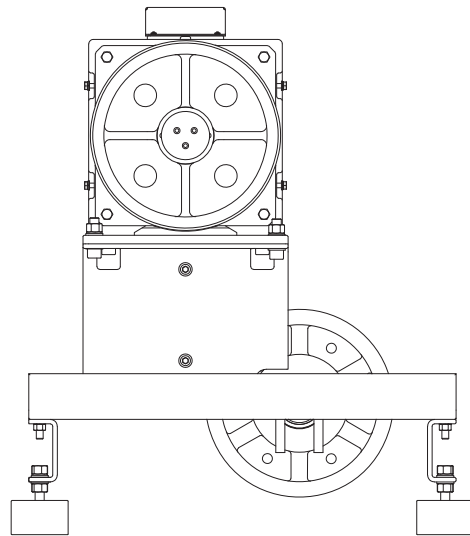
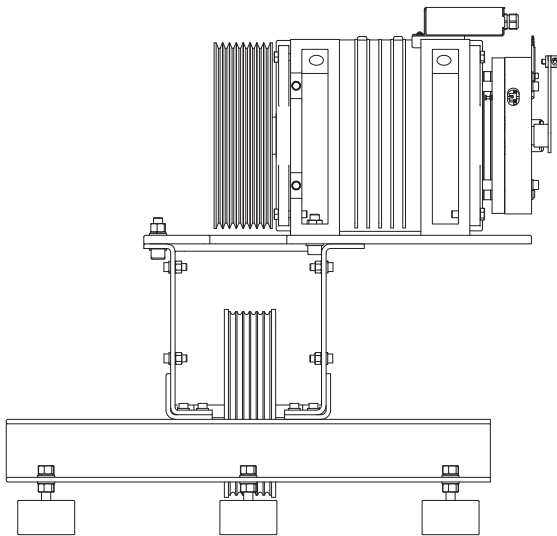
Load (kg)	320	450	630
Roping	1	1	1
Pulley (mm)	320	320	320
Speed (m/s)	1	1	1
Nom. torque inst.(Nm)	335	470	659
Nominal speed (rpm)	60	60	60

MECHANICAL DATA

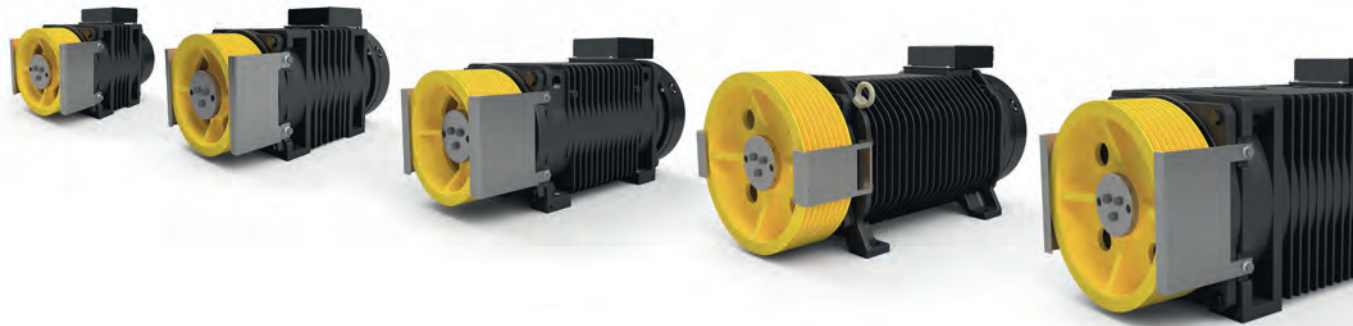
Nom. torque motor (Nm)	340	550	700
Max. torque motor (Nm)	646	1.045	1.330
Starts/hour	180	180	180
Static load (kg)	4.000	4.000	4.000
Machine weight (kg)	250	250	300

ELECTRICAL DATA

Nominal consumption (A)	8,7	9,4	12
Rated Voltage (V)	340	320	320
Nominal power (kW)	2,8	3,9	5,3
Herzs (Hz)	9	9	9
Brake voltage (Vdc)	210	210	210



ELEVATOR MOTOR



Our innovative design has established the company internationally as one of leading manufacturer of elevator motors. It provides the highest levels of performance and energy efficiency plus enhanced response to satisfy today's needs and trends in the elevator market.

Flexibility and adaptability

One of our most important advantages is the flexibility and adaptability of our engines and services to the needs of each project and client.

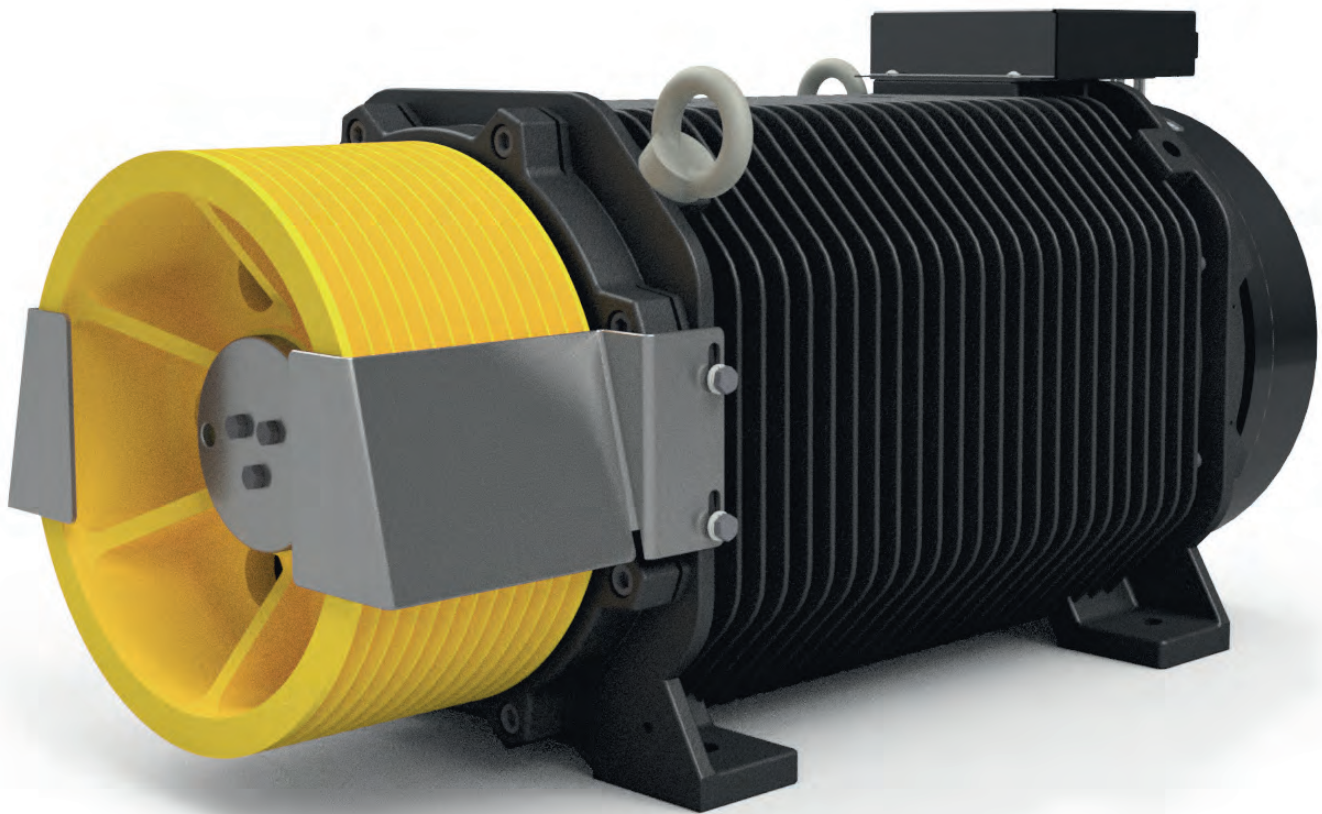


PERMAGSA's gearless motor has low electricity consumption and a long life span.

We design and manufacture the most **SILENT (<45 dB)** compact, lightweight and energy saving elevator motor for the lift industry. We develop durable, reliable and tested permanent magnet synchronous motors, 100% adapted to our customers requirements.



HIGH LOAD



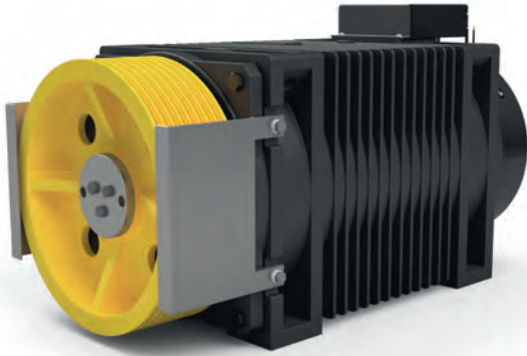
High Torque motors.

Those elevator motors have a high strength-to-weight ratio, which makes it suitable for heavy-duty, high-capacity elevators.

Powerful engines with high spec versatility.
Maintenance saving

TORQUE MOTOR
UP TO 1.800 Nm

GsH225



INSTALLATION DATA

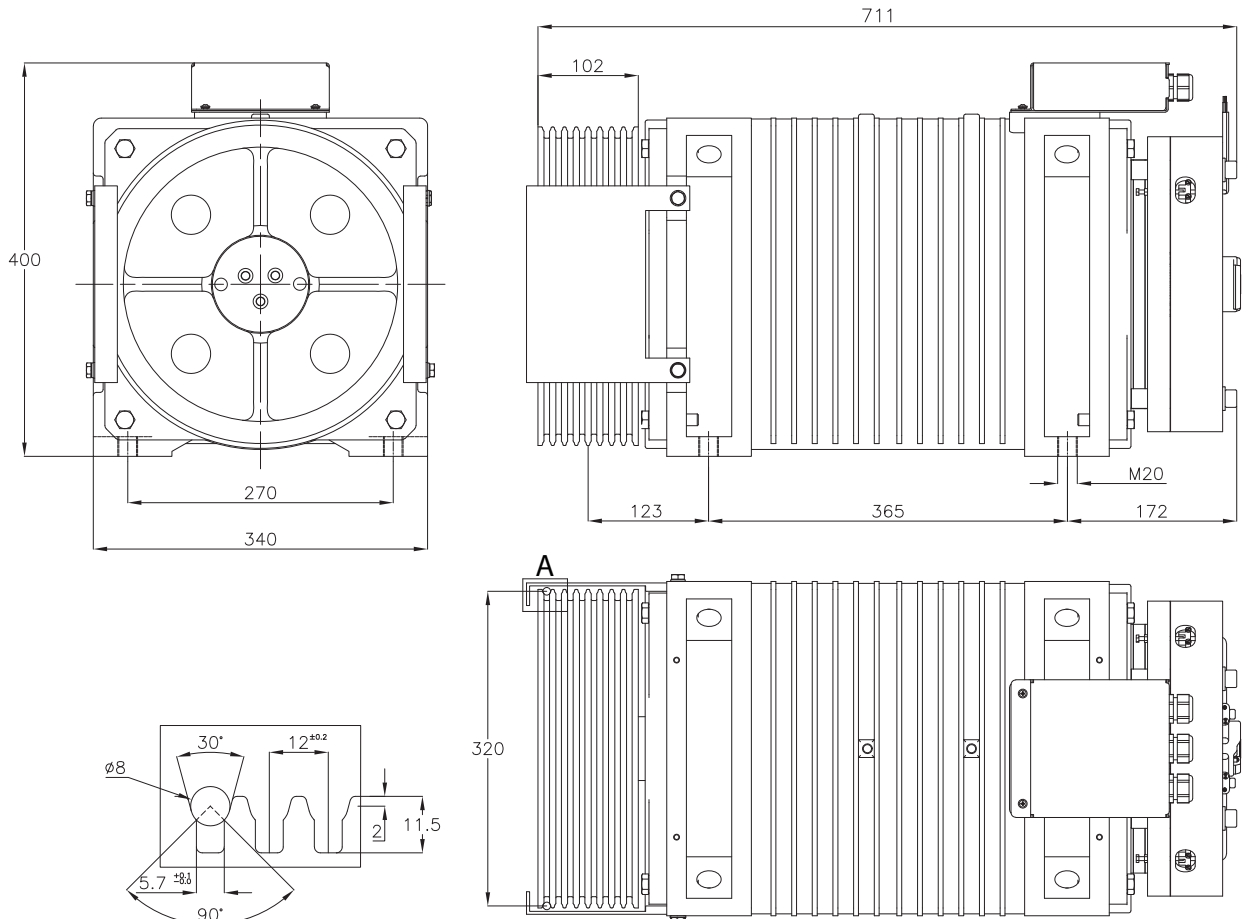
Load (kg)	1.275	1.275
Roping	2	2
Pulley (mm)	320	320
Speed (m/s)	1	1,6
Nom. torque inst.(Nm)	625	625
Nominal speed (rpm)	120	191

MECHANICAL DATA

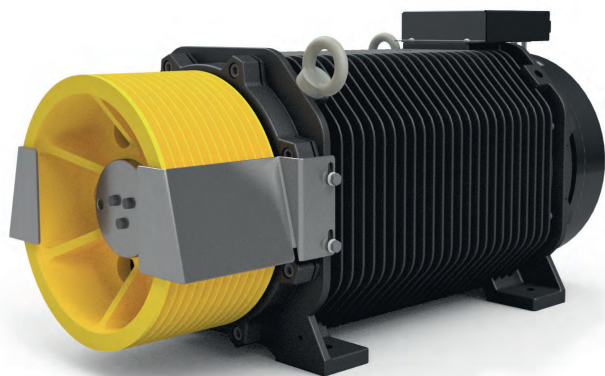
Nom. torque motor (Nm)	700	700
Max. torque motor (Nm)	1.330	1.330
Starts/hour	180	180
Static load (kg)	4.000	4.000
Machine weight (kg)	300	300

ELECTRICAL DATA

Nominal consumption (A)	18,9	31,2
Rated Voltage (V)	360	340
Nominal power (kW)	16,5	13,4
Herzs (Hz)	24	19
Brake voltage (Vdc)	210	210



GcH375



INSTALLATION DATA

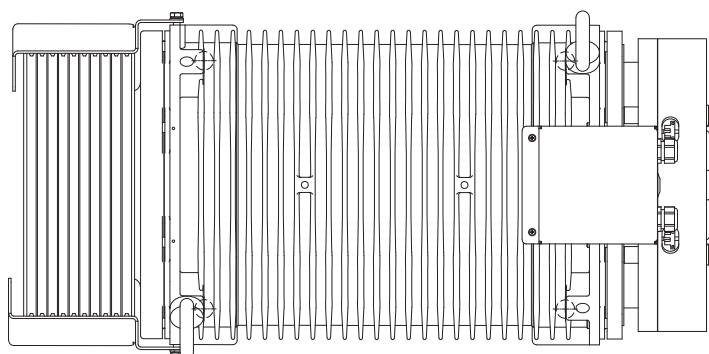
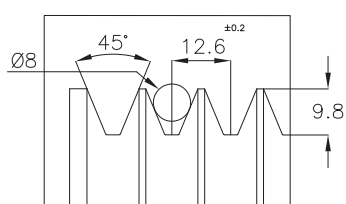
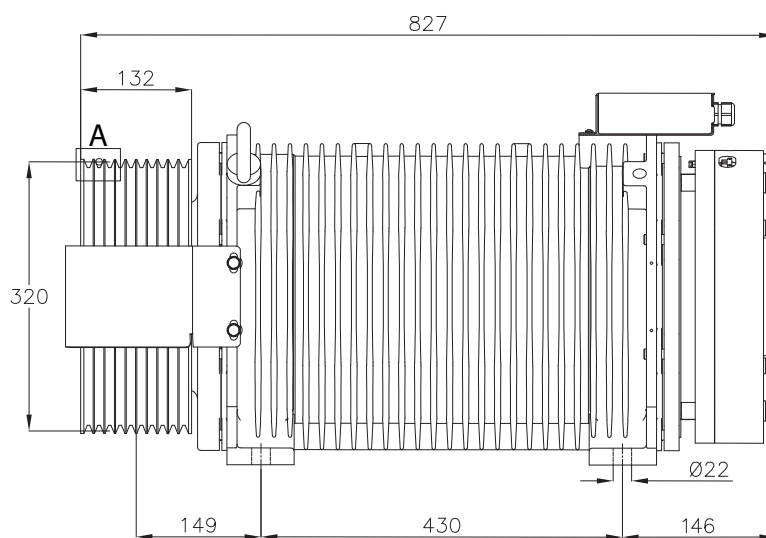
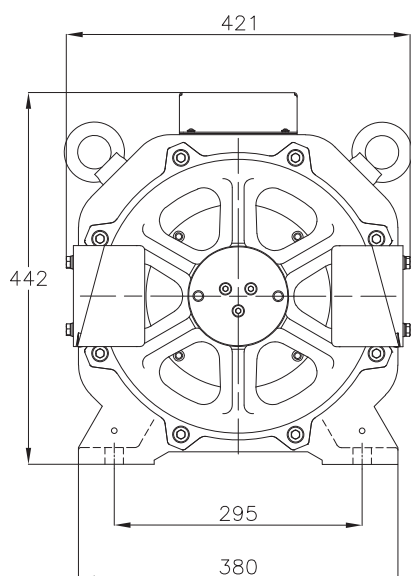
Load (kg)	2.500	5.000
Roping	2	4
Pulley (mm)	320	320
Speed (m/s)	1	1
Nom. torque inst.(Nm)	1.225	1.225
Nominal speed (rpm)	119	239

MECHANICAL DATA

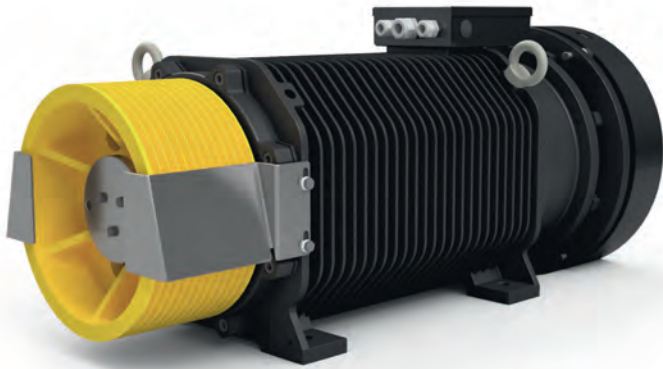
Nom. torque motor (Nm)	1.300	1.300
Max. torque motor (Nm)	2.470	2.470
Starts/hour	180	180
Static load (kg)	6.000	6.000
Machine weight (kg)	440	440

ELECTRICAL DATA

Nominal consumption (A)	37,1	61,3
Rated Voltage (V)	350	380
Nominal power (kW)	16,7	32,0
Herzs (Hz)	12	24
Brake voltage (Vdc)	210	210



GcH525



INSTALLATION DATA

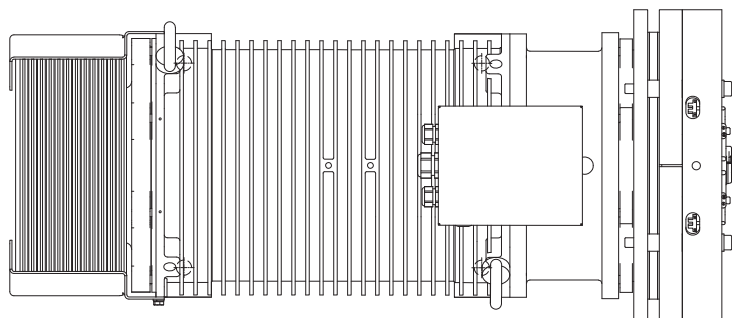
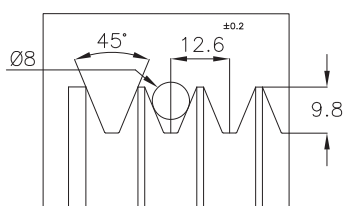
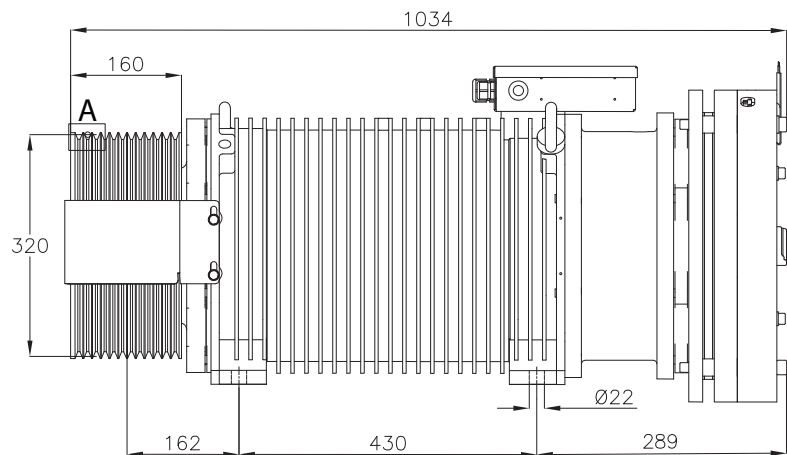
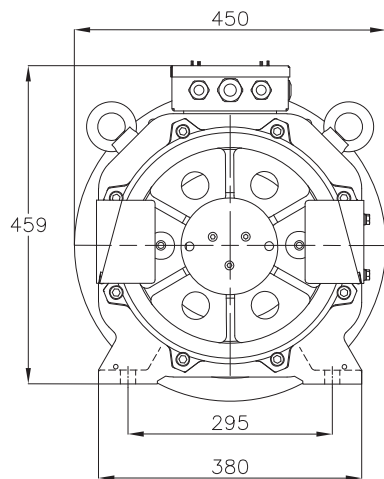
Load (kg)	4.000	7.000
Roping	4	4
Pulley (mm)	520	320
Speed (m/s)	2	1
Nom. torque inst.(Nm)	1.593	1.715
Nominal speed (rpm)	294	239

MECHANICAL DATA

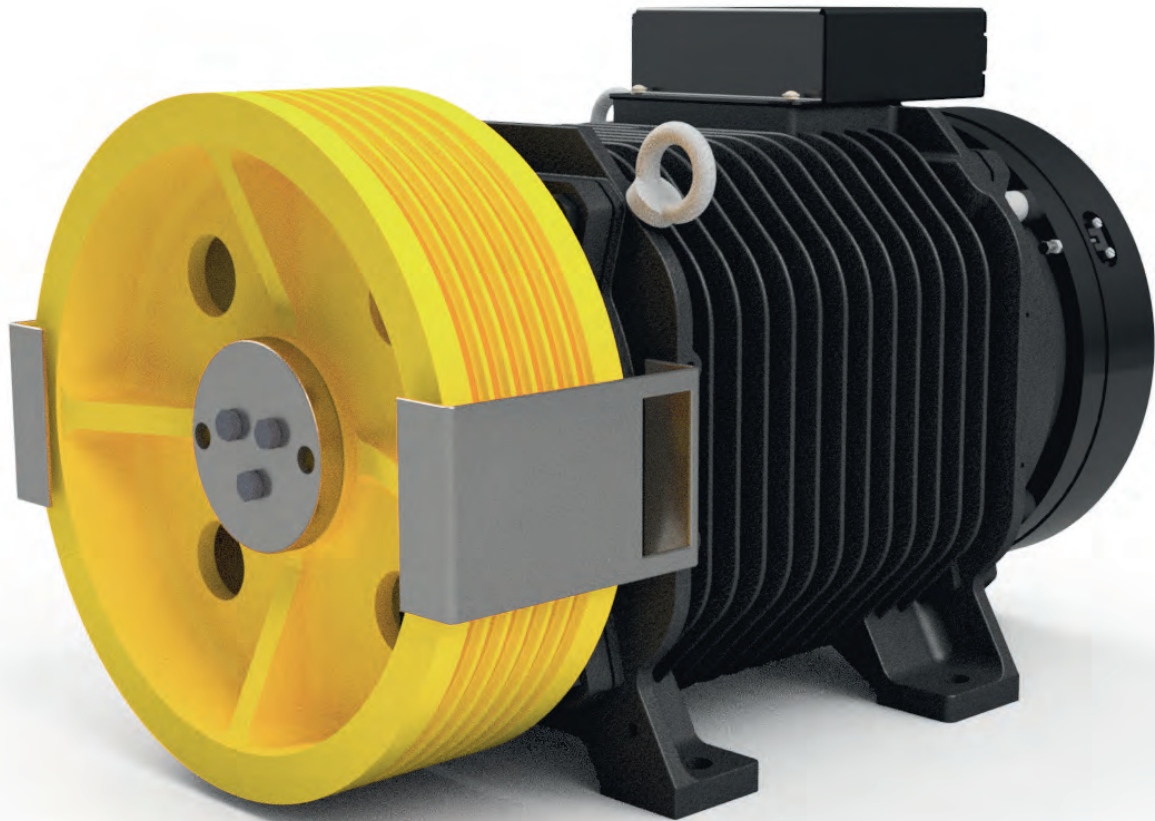
Nom. torque motor (Nm)	1.900	1.900
Max. torque motor (Nm)	3.610	3.610
Starts/hour	180	180
Static load (kg)	6.000	6.000
Machine weight (kg)	500	500

ELECTRICAL DATA

Nominal consumption (A)	99,5	85,8
Rated Voltage (V)	350	380
Nominal power (kW)	61,3	44,5
Herzs (Hz)	29	24
Brake voltage (Vdc)	210	210



320 PULLEY

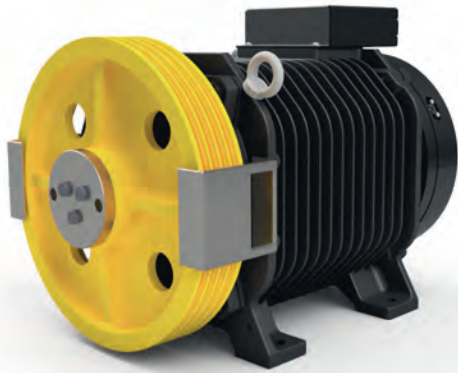


320 Pulley is a standard product off elevator motors. It has been a bestseller in the past years. It can be used for a variety of purposes.

It is a standard product off elevator motors with a long track record of providing high quality products and services. Ideal to replace old motors of any other brand, the perfect universal product.

**FITS MANY LIFTS
MAINTENANCE SAVING**

Gc150



INSTALLATION DATA

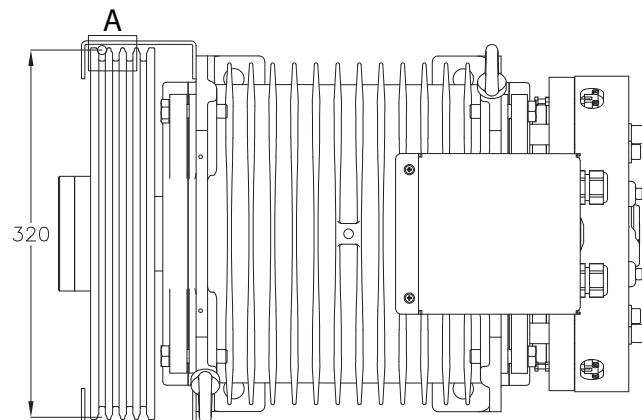
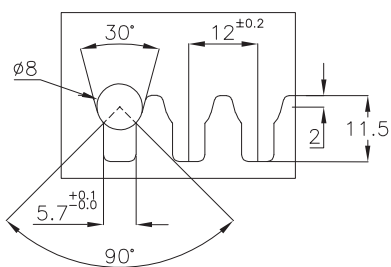
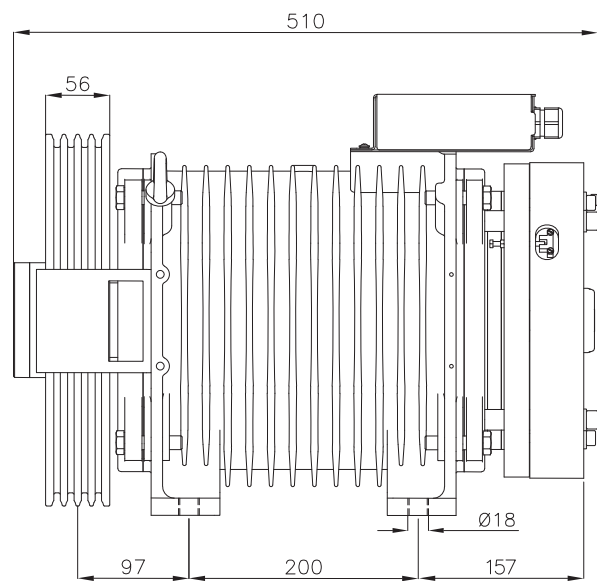
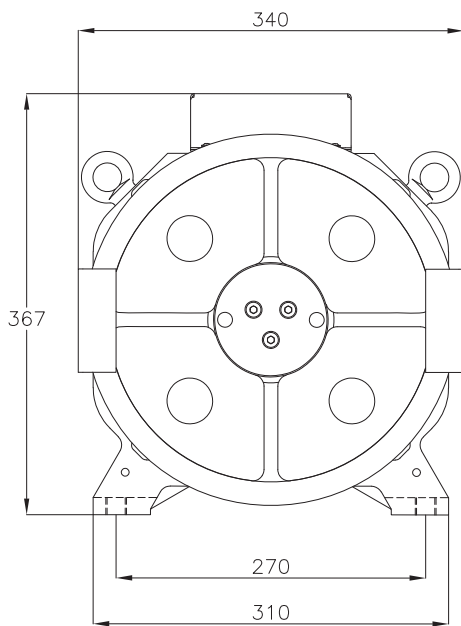
Load (kg)	450	450
Roping	2	2
Pulley (mm)	320	320
Speed (m/s)	1	1,6
Nom. torque inst.(Nm)	221	221
Nominal speed (rpm)	119	191

MECHANICAL DATA

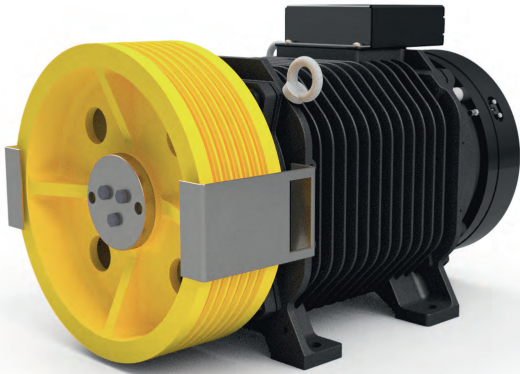
Nom. torque motor (Nm)	300	300
Max. torque motor (Nm)	570	570
Starts/hour	180	180
Static load (kg)	2.100	2.100
Machine weight (kg)	145	145

ELECTRICAL DATA

Nominal consumption (A)	8,5	11,0
Rated Voltage (V)	360	360
Nominal power (kW)	3,8	5,4
Herzs (Hz)	12	19
Brake voltage (Vdc)	210	210



Gc190



INSTALLATION DATA

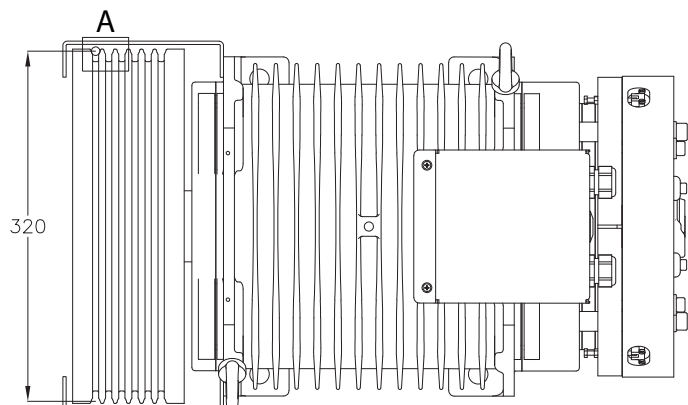
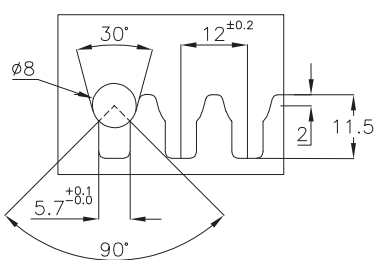
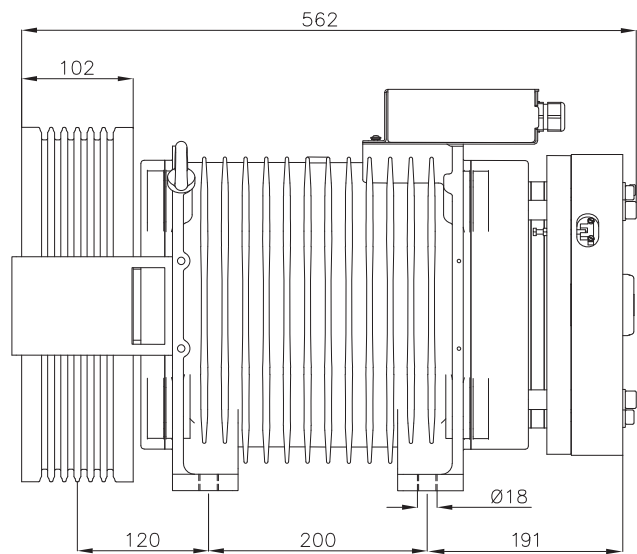
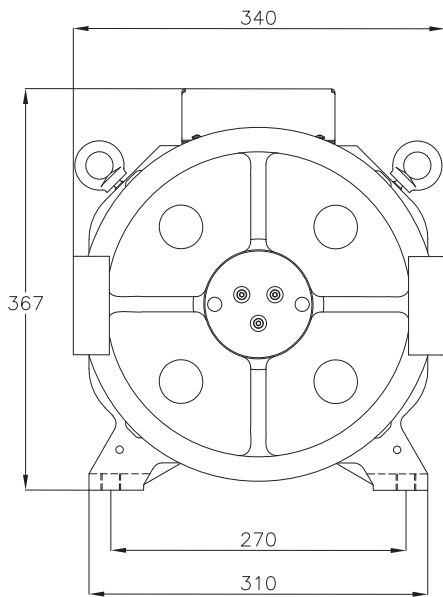
Load (kg)	630	630
Roping	2	2
Pulley (mm)	320	320
Speed (m/s)	1	1,6
Nom. torque inst.(Nm)	309	309
Nominal speed (rpm)	119	191

MECHANICAL DATA

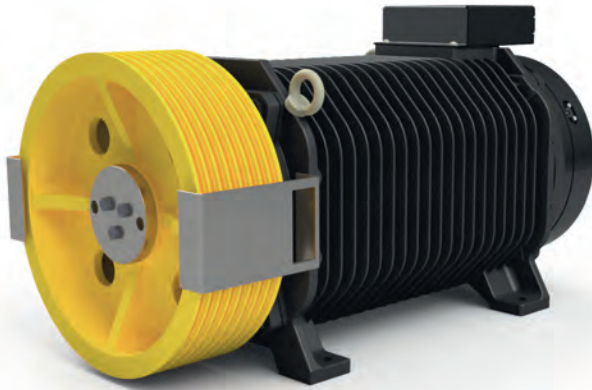
Nom. torque motor (Nm)	370	370
Max. torque motor (Nm)	703	703
Starts/hour	180	180
Static load (kg)	2.100	2.100
Machine weight (kg)	170	170

ELECTRICAL DATA

Nominal consumption (A)	11,9	15,4
Rated Voltage (V)	360	360
Nominal power (kW)	4,9	7,2
Herzs (Hz)	12	19
Brake voltage (Vdc)	210	210



Gc300



INSTALLATION DATA

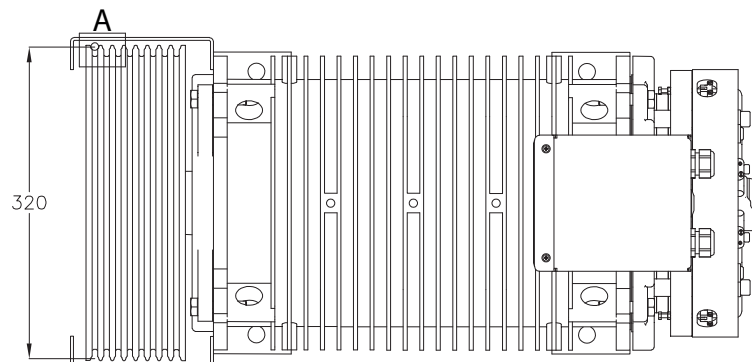
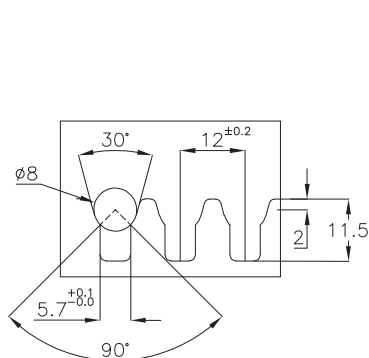
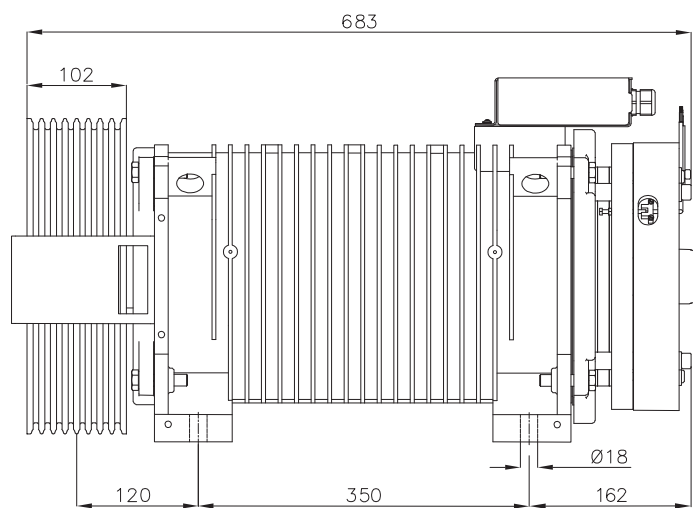
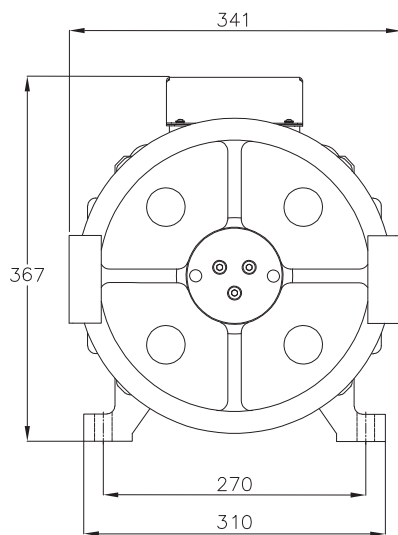
Load (kg)	1.000	1.000
Roping	2	2
Pulley (mm)	320	320
Speed (m/s)	1	1,6
Nom. torque inst.(Nm)	490	490
Nominal speed (rpm)	119	191

MECHANICAL DATA

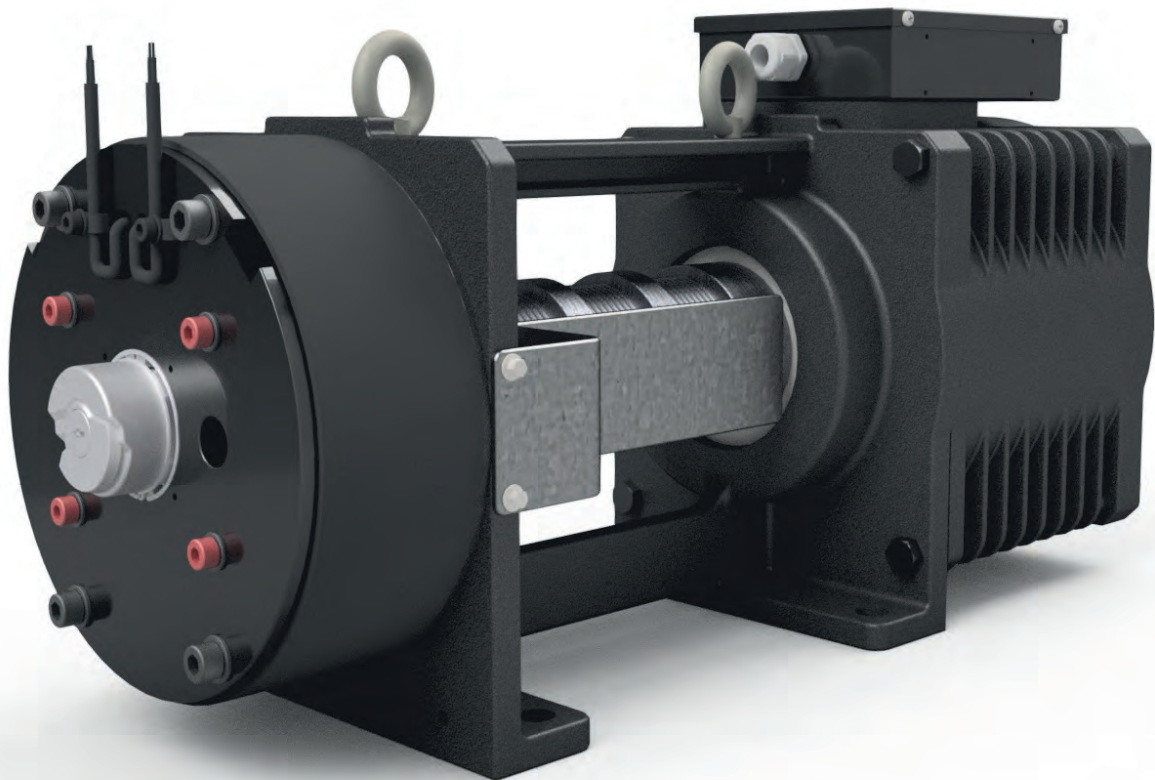
Nom. torque motor (Nm)	600	600
Max. torque motor (Nm)	1.140	1.140
Starts/hour	180	180
Static load (kg)	4.000	4.000
Machine weight (kg)	230	230

ELECTRICAL DATA

Nominal consumption (A)	18,8	24,5
Rated Voltage (V)	360	360
Nominal power (kW)	7,3	11,0
Herzs (Hz)	12	19
Brake voltage (Vdc)	210	210



BELT MACHINE

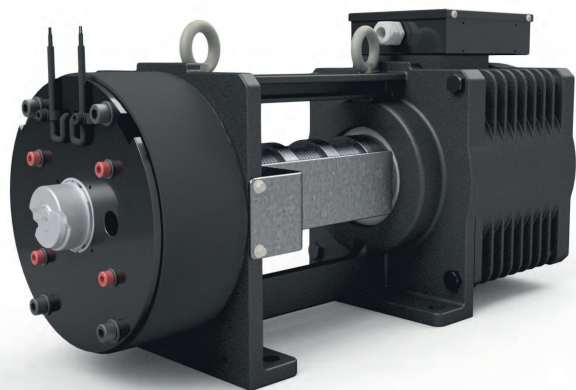


Belt Machine will bring a revolution to the traditional lift. With its breakthrough in the design, it can be used for a wide range of applications.

In turn, the belt machine is a new kind of motor that's revolutionizing the elevator motors.

INNOVATIVE DESIGN
HIGHER PERFORMANCE
HIGHER EFFICIENCY

GbN75



INSTALLATION DATA

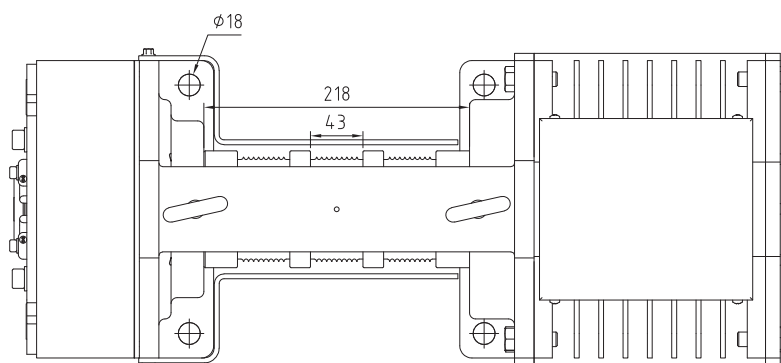
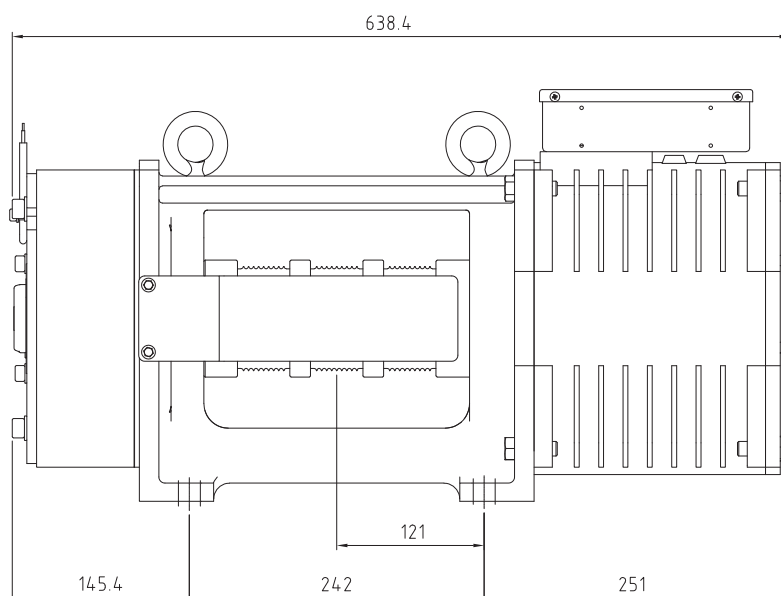
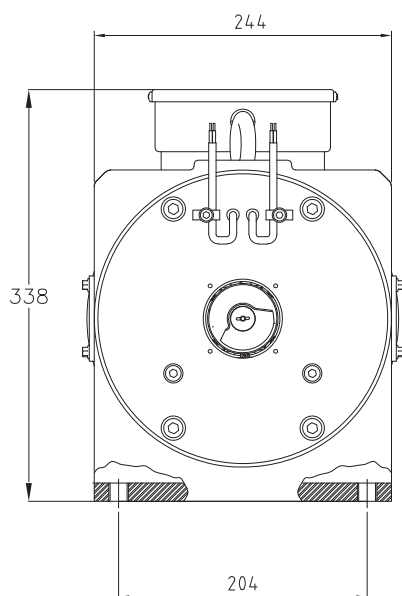
Load (kg)	450	1.000
Roping	1	2
Pulley (mm)	85	85
Speed (m/s)	1	1
Nom. torque inst.(Nm)	117	130
Nominal speed (rpm)	225	450

MECHANICAL DATA

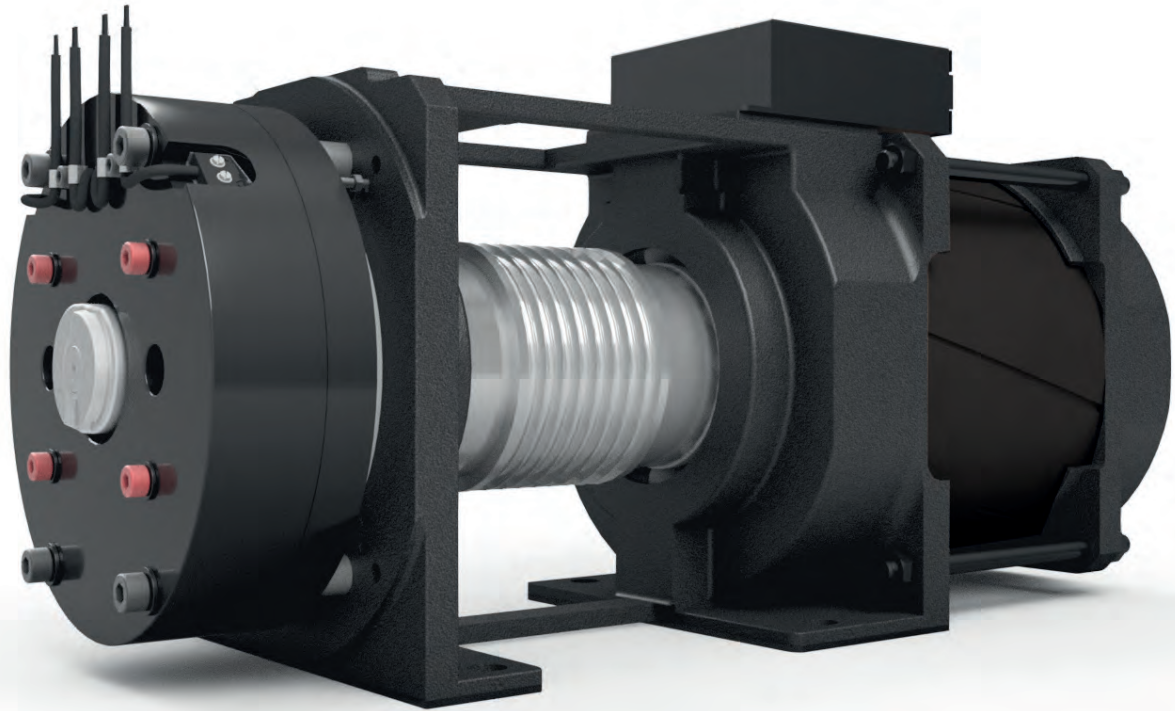
Nom. torque motor (Nm)	150	150
Max. torque motor (Nm)	285	285
Starts/hour	180	180
Static load (kg)	2.100	2.100
Machine weight (kg)	98	98

ELECTRICAL DATA

Nominal consumption (A)	7,3	16,3
Rated Voltage (V)	350	370
Nominal power (kW)	3,6	6,9
Herzs (Hz)	22	45
Brake voltage (Vdc)	210	210



GbR

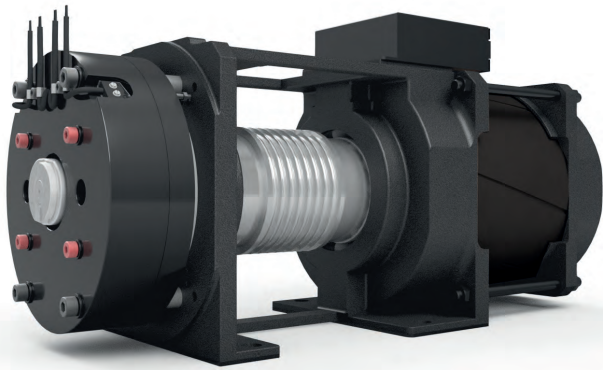


GbR elevator motors have the pulley in the center.

Which allows its installation in small spaces, while still being powerful motors with high versatility of specifications.

**MANTENANCE SAVINGS
PERFECT FOR SAMALL SPACES**

GbR150



INSTALLATION DATA

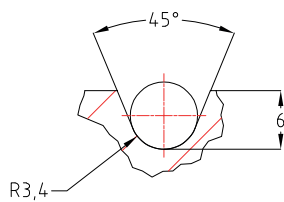
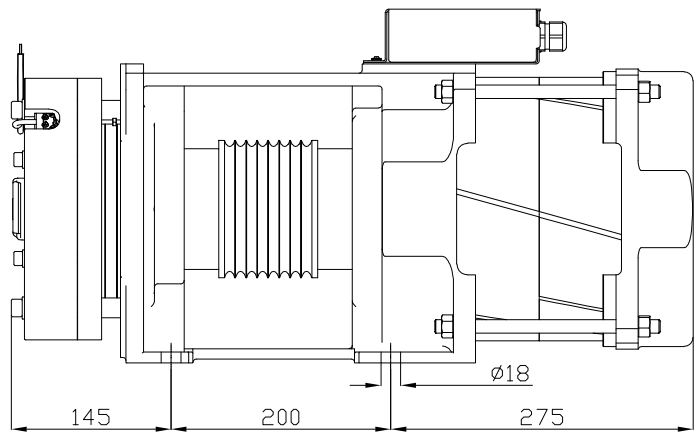
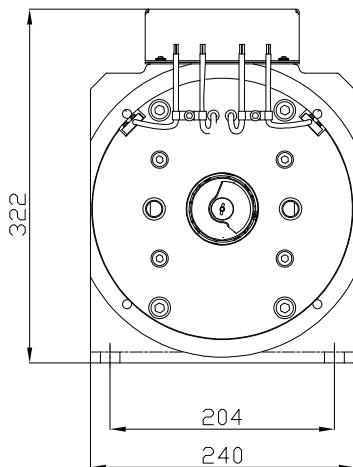
Load (kg)	630	630
Roping	1	2
Pulley (mm)	120	240
Speed (m/s)	1	1
Nom. torque inst.(Nm)	262	232
Nominal speed (rpm)	159	159

MECHANICAL DATA

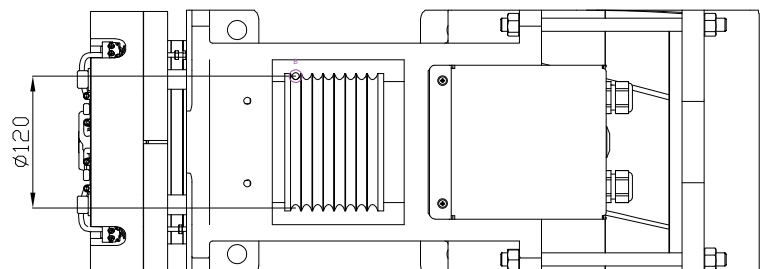
Nom. torque motor (Nm)	300	300
Max. torque motor (Nm)	570	570
Starts/hour	180	180
Static load (kg)	2.100	2.100
Machine weight (kg)	150	150

ELECTRICAL DATA

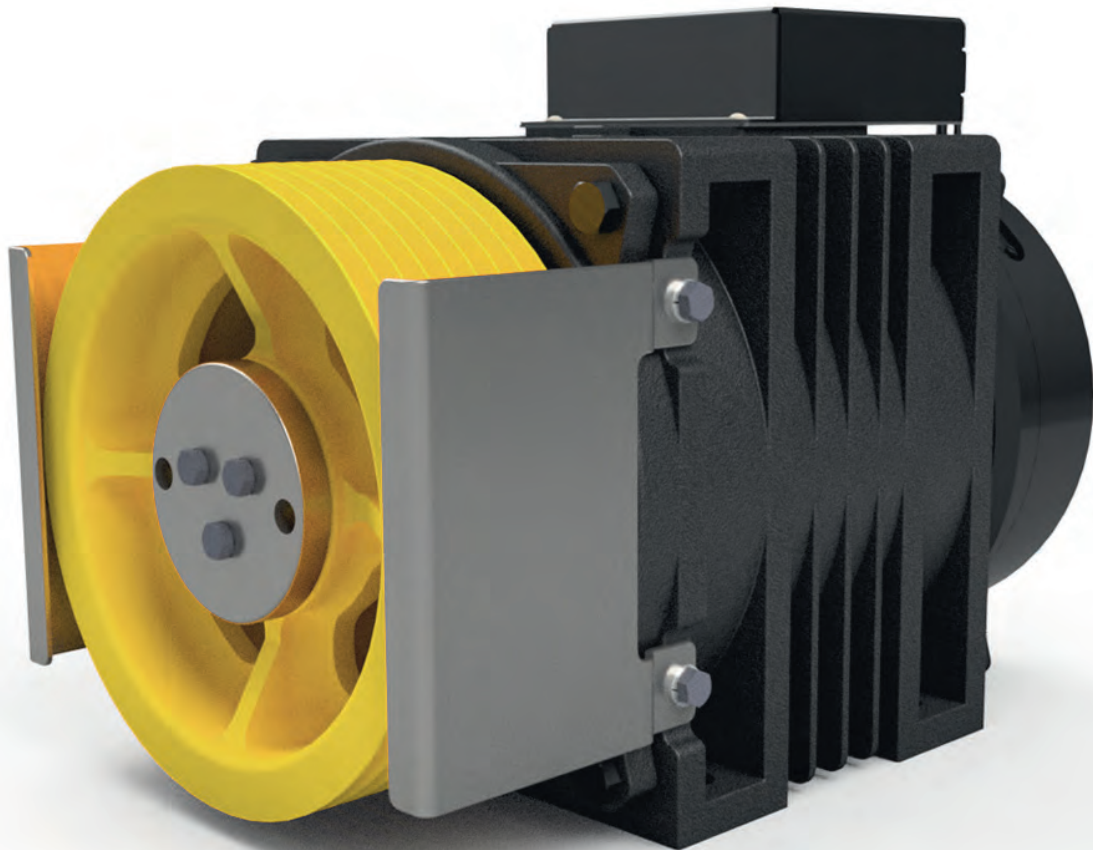
Nominal consumption (A)	10,9	9,6
Rated Voltage (V)	350	350
Nominal power (kW)	5,4	4,9
Herzs (Hz)	16	16
Brake voltage (Vdc)	210	210



GROOVE DETAIL



OPTIMUS

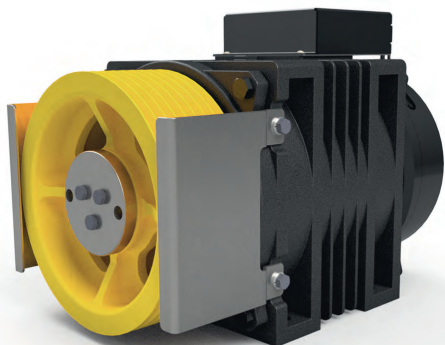


Optimus is a motor design that provides the best balance in specifications and cost optimization. Advanced motor technology, reduced size developed specifically for reduced dimensions shaft.

It also has a simple placement system, which facilitates maintenance work.

**COMPACT MACHINE
MAINTENANCE SAVING**

Gs75



INSTALLATION DATA

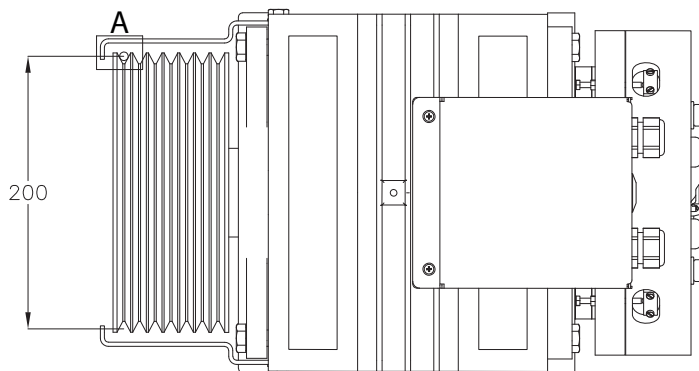
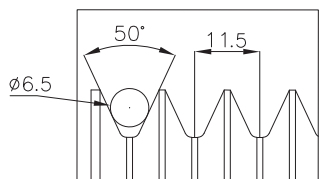
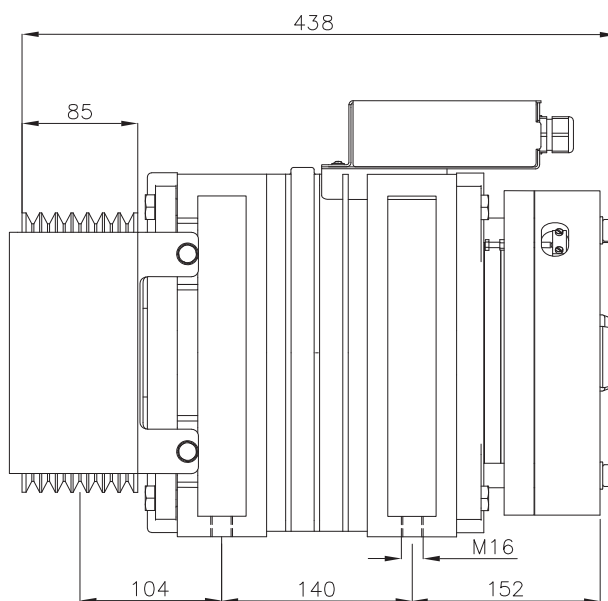
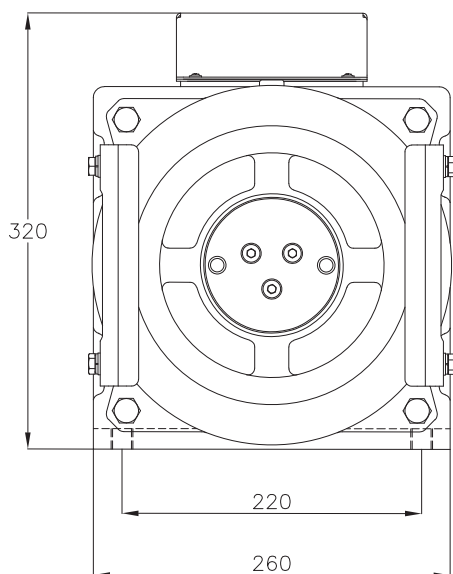
Load (kg)	300	450
Roping	2	2
Pulley (mm)	240	200
Speed (m/s)	1	1
Nom. torque inst.(Nm)	110	138
Nominal speed (rpm)	159	191

MECHANICAL DATA

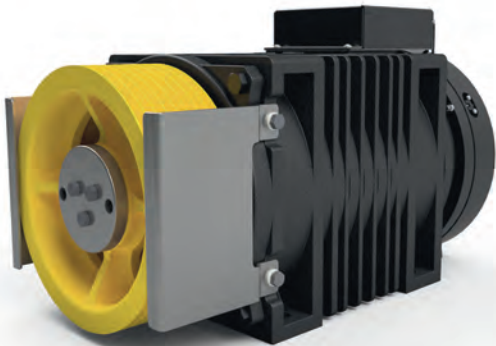
Nom. torque motor (Nm)	150	150
Max. torque motor (Nm)	285	285
Starts/hour	180	180
Static load (kg)	2.100	2.100
Machine weight (kg)	98	98

ELECTRICAL DATA

Nominal consumption (A)	6,9	8,6
Rated Voltage (V)	350	350
Nominal power (kW)	2,6	3,6
Herzs (Hz)	16	19
Brake voltage (Vdc)	210	210



Gs150



INSTALLATION DATA

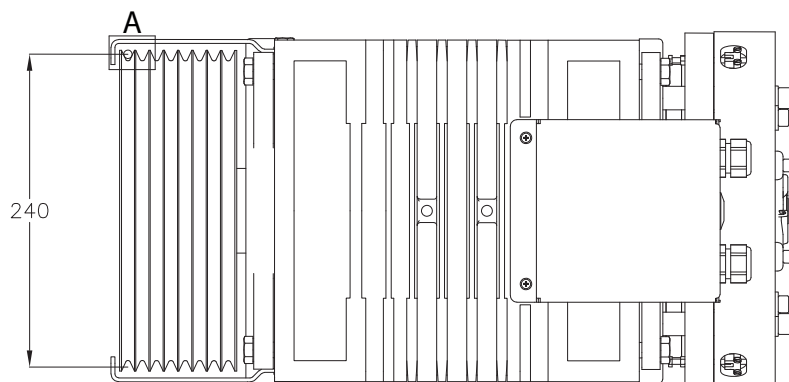
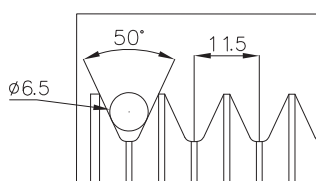
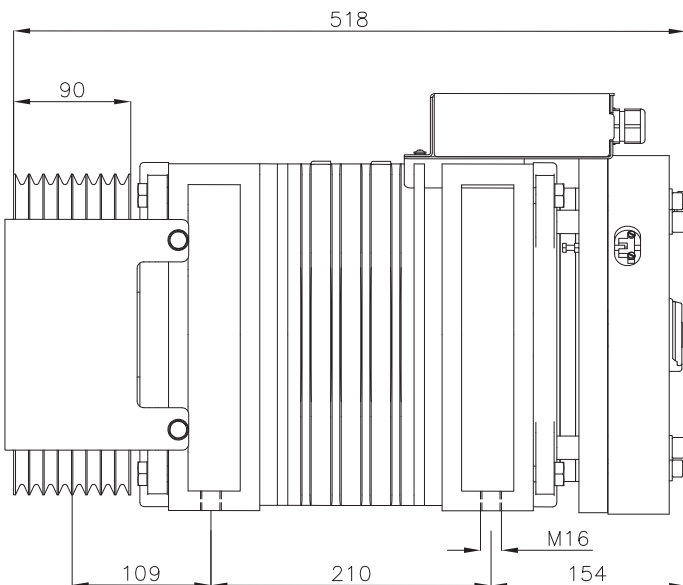
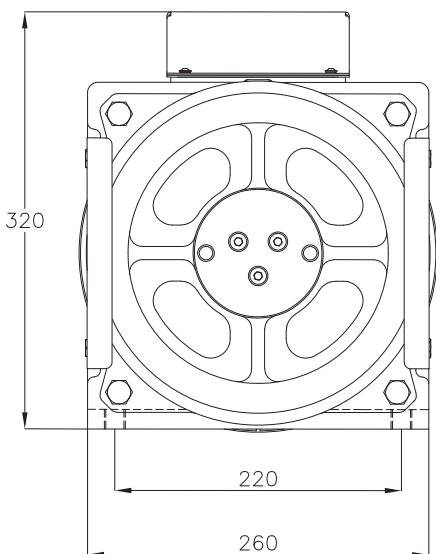
Load (kg)	630	630
Roping	1	2
Pulley (mm)	120	240
Speed (m/s)	1	1
Nom. torque inst.(Nm)	262	232
Nominal speed (rpm)	159	159

MECHANICAL DATA

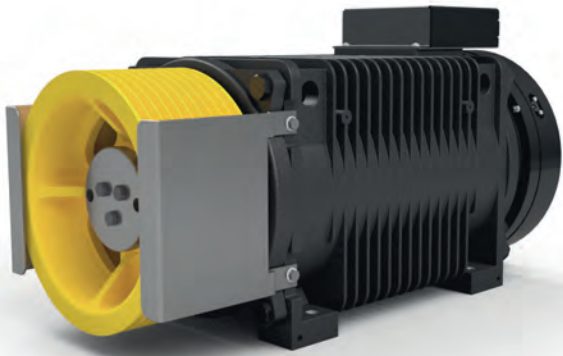
Nom. torque motor (Nm)	300	300
Max. torque motor (Nm)	570	570
Starts/hour	180	180
Static load (kg)	2.100	2.100
Machine weight (kg)	150	150

ELECTRICAL DATA

Nominal consumption (A)	10,9	9,6
Rated Voltage (V)	350	350
Nominal power (kW)	5,4	4,9
Herzs (Hz)	16	16
Brake voltage (Vdc)	210	210



Gs225



INSTALLATION DATA

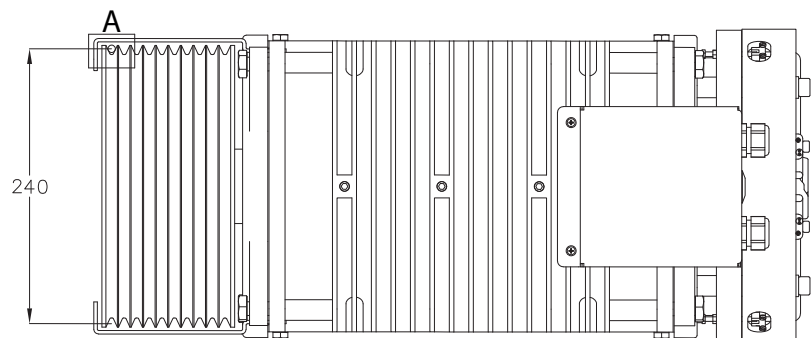
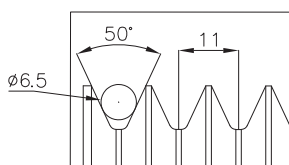
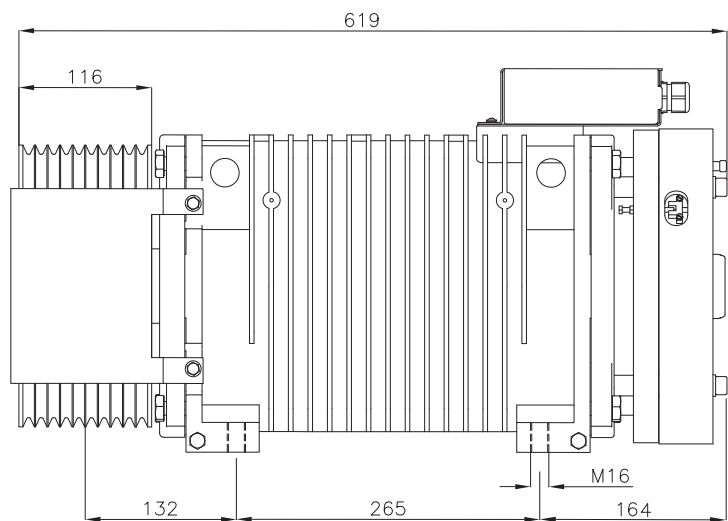
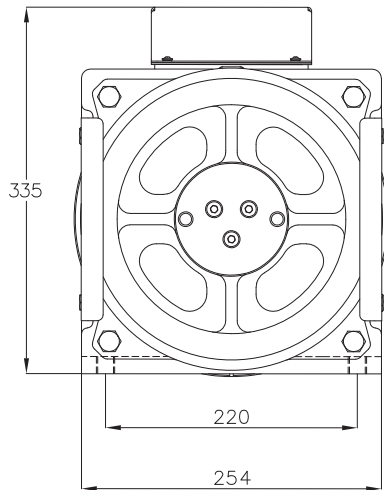
Load (kg)	1.000	1.000
Roping	2	2
Pulley (mm)	240	240
Speed (m/s)	1	1,6
Nom. torque inst.(Nm)	359	368
Nominal speed (rpm)	159	255

MECHANICAL DATA

Nom. torque motor (Nm)	450	450
Max. torque motor (Nm)	855	855
Starts/hour	180	180
Static load (kg)	3.500	3.500
Machine weight (kg)	185	185

ELECTRICAL DATA

Nominal consumption (A)	14,9	23,0
Rated Voltage (V)	350	350
Nominal power (kW)	7,1	10,9
Herzs (Hz)	16	25,5
Brake voltage (Vdc)	210	210





CONTACT

Pol. Industrial Zumurdineta, 8
31820 Etxarri-Aranatz (Navarra) · Spain

+34 948 564 351

www.permagsa.com

sales@permagsa.com

The latest
generation
of elevator
motors for
the lift
industry

