



**lancor**  
motores eléctricos  electric motors

**GEARLESS PERMANENT MAGNET MACHINES**

Excellent quality and service

## MSIP MACHINES

### MAIN FEATURES:

- Gearless permanent magnet machines
- Different pulley sizes available
- Different types of encoder or microswitch available
- Customizable



**GEARLESS PERMANENT MAGNET MACHINES**

## MSIP100

- Torque up to 220 Nm
- Speed up to 1.6 m/s
- Course up to 50 m
- Sheaves: Ø120, Ø160, Ø200
- Reduced width 200 mm
- Available for home lift (0,15-0,30 m/s)
- Also belt solution available
- Static load: 2800 kg

MSIP100 (Lp Max 210 Mm)				
Traction Sheave	2:1		1:1	
	Torque	Load	Torque	Load
Ø200	220	600	220	300
Ø160	220	750	220	375
Ø120	220	1000	220	500

CONDITIONS:

Counterweight 50% -  $\eta$ shaft 75% - v [m/s] 1 - ED 30%

## MSIP120

- Torque up to 350 Nm
- Speed up to 1.6 m/s
- Course up to 50 m
- Sheaves: Ø120, Ø160, Ø210, Ø240
- Available for home lift (0,15-0,30 m/s)
- Also belt solution available
- Static load: 3200 kg

MSIP120 (Lp Max 240 mm)				
Traction Sheave	2:1		1:1	
	Torque	Load	Torque	Load
Ø240	350	880	350	440
Ø210	350	1000	350	500
Ø160	350	1300	350	650
Ø120	350	1760	350	880

CONDITIONS:

Counterweight 50% -  $\eta$ shaft 75% - v [m/s] 1 - ED 30%

## MSIP160

- Torque up to 600 Nm
- Speed up to 2 m/s
- Course up to 50 m
- Sheaves: Ø210, Ø240, Ø320
- Static load: 3200 kg

MSIP160 (Lp Max 300 mm)				
Traction Sheave	2:1		1:1	
	Torque	Load	Torque	Load
Ø320	600	1250	600	630
Ø240	600	1500	600	800
Ø210	600	1250	600	630

CONDITIONS:

Counterweight 50% -  $\eta$ shaft 80% - v [m/s] 1 - ED 40%

## MSIP225

- Torque up to 1500 Nm
- Speed up to 3 m/s
- Course up to:
  - 50 m Estándar
  - 75 m Pro
  - 130 m High Rise
- Sheaves: Ø320, Ø400
- Static load: 10000 kg

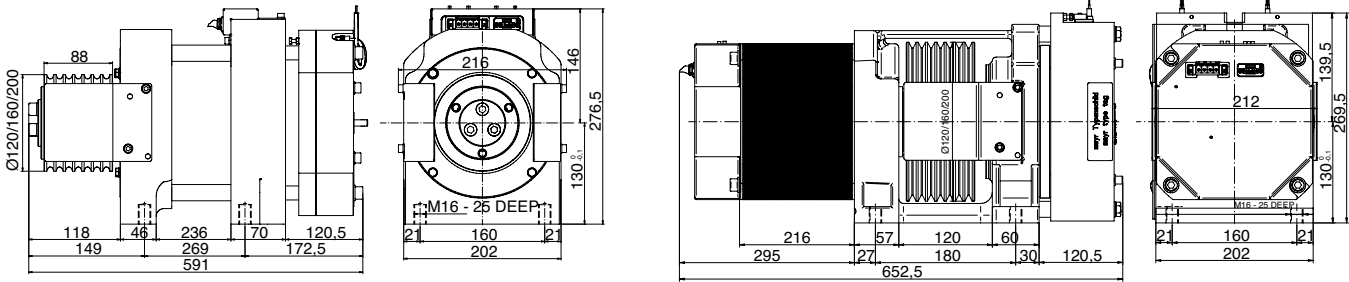
MSIP225 (Lp Max 360 mm)				
Traction Sheave	2:1		1:1	
	Torque	Load	Torque	Load
Ø400	1500	2500	1500	1250
Ø320	1500	2500	1500	1250

CONDITIONS:

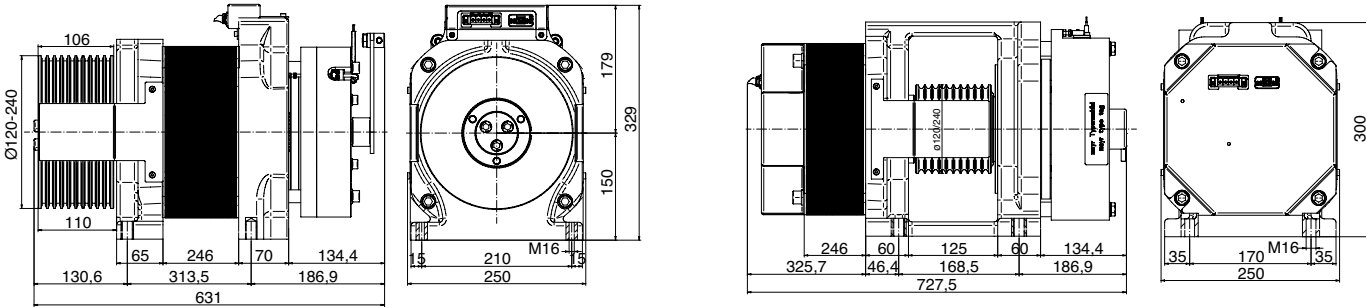
Counterweight 50% -  $\eta$ shaft 70% - v [m/s] 1 - ED 40%

# DIMENSIONS - Maximum Sizes

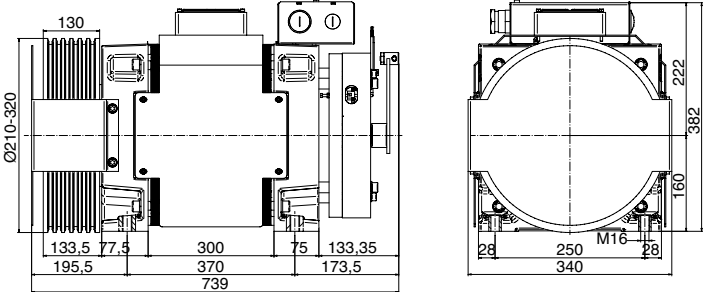
## MSIP100



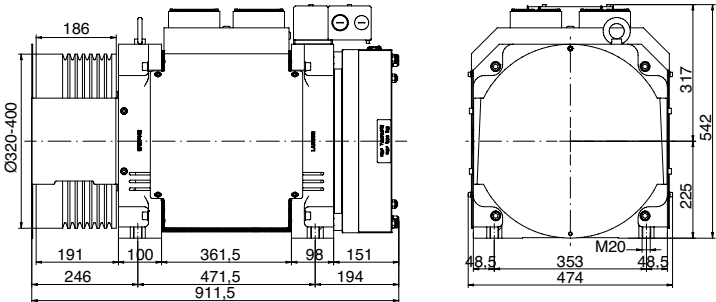
## MSIP120



MSIP160



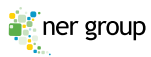
MSIP225



# lancor

motores eléctricos @ electric motors

LANCOR 2000, S.Coop.



Polígono El Campillo II, P3  
48500 Abanto y Ciérvana  
(Bizkaia) Spain

Tel: (+34) 946 361 508  
e-mail: lancor@lancor.es

Follow us on:



Certified for  
ISO9001 and  
ISO14001



100%  
MADE IN  
EUROPE